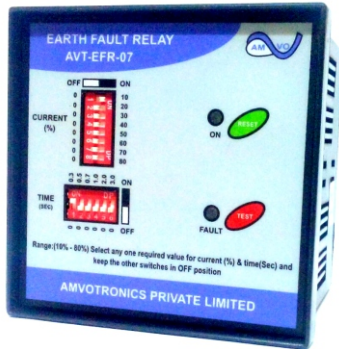


EARTH FAULT RELAY

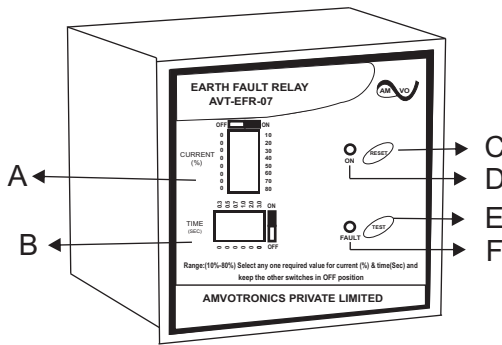
EARTH FAULT RELAY



SETTING RANGES	: Current
Model AVT-EFR-07	: 10% to 80%
Delay Time	: 0.3 to 3.0 sec
Auxiliary Supply	: 185-250 VAC

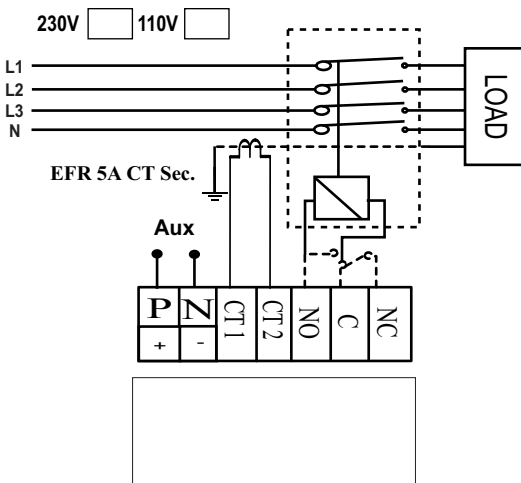
APPLICATION

- * Feeder incoming protection
- * Outgoing protection
- * Busbar protection

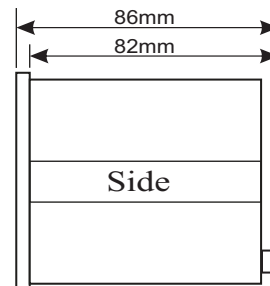
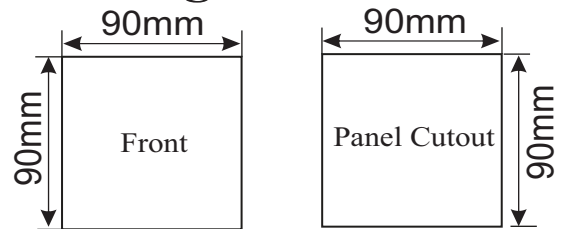


- A - DIP Switches for Current setting
- B - DIP Switches for Delay setting
- C - Reset button
- D - Power ON Indication
- E - Test button for testing the healthy of relay
- F - Fault indication LED

Connection Diagram



Casing Dimensions



AMVOTRONICS PRIVATE LIMITED
 MANUFACTURERS OF ELECTRICAL RELAY